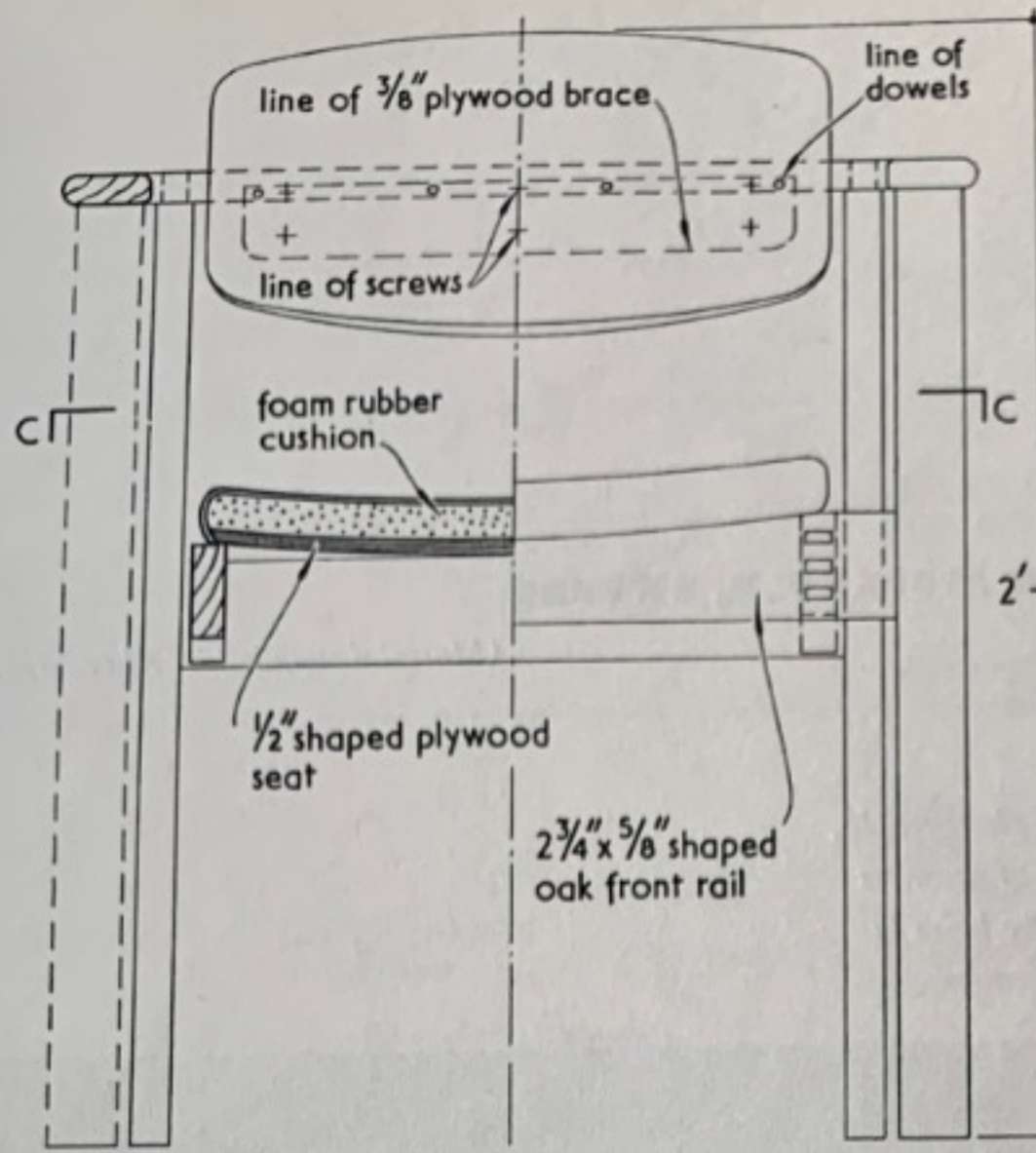


STACKING CHAIRS: TRAINING CENTRE IN STOCKHOLM, SWEDEN
DESIGNED BY ANDERS TENGBOM AND SVEN KAI-LARSEN

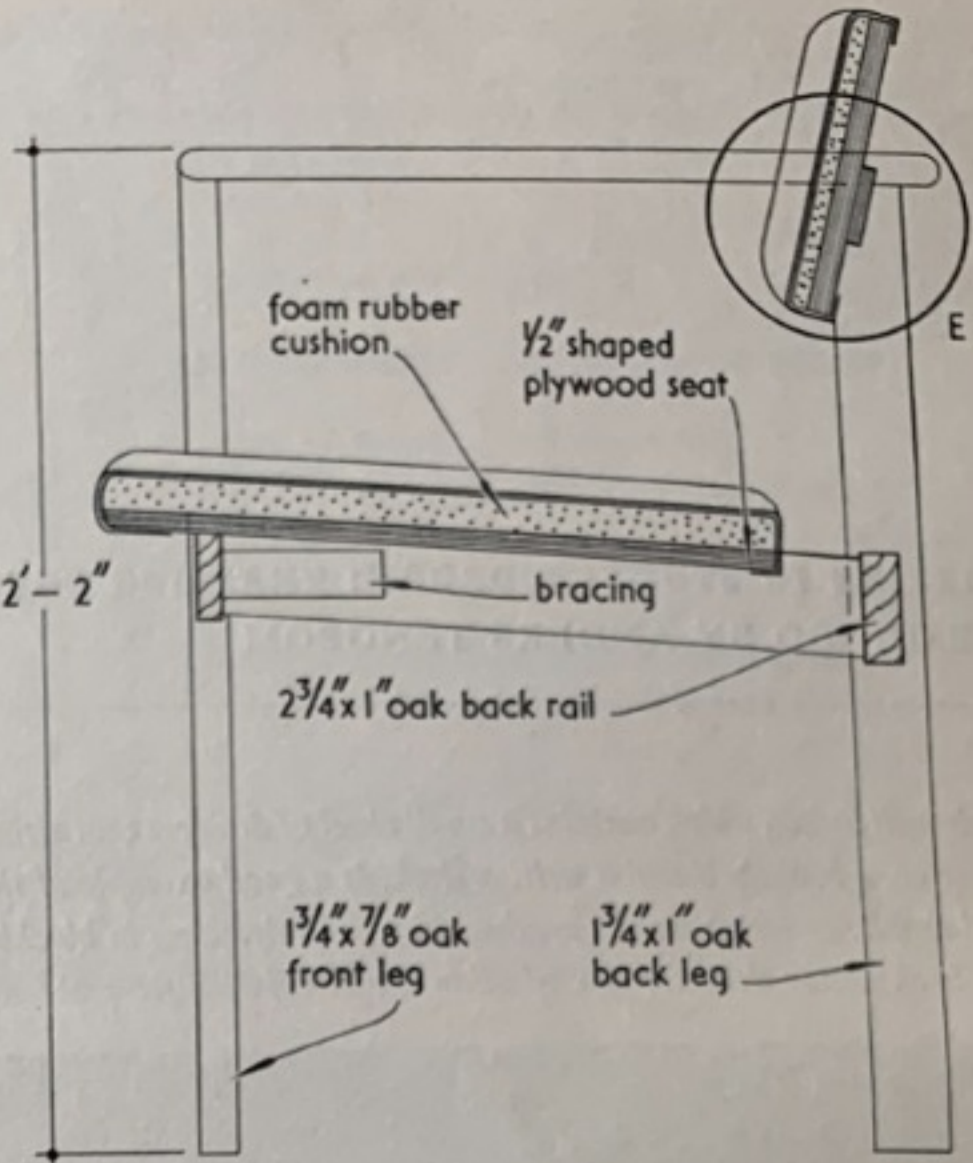
(Material supplied by Alice Mylo)

Generally speaking, stacking chairs, however sensible and comfortable they may be, have an unsatisfactory appearance when seen standing alone. This is usually due to the slightness of their structural parts. These chairs evade the dilemma by having relatively substantial fore and back legs which are thin and deep instead of square in section. Note the gap (on plan) between the outer edge of the seat and the inner edge of the armrest, which enables the back legs of all the chairs in the stack to nest neatly one against the other.

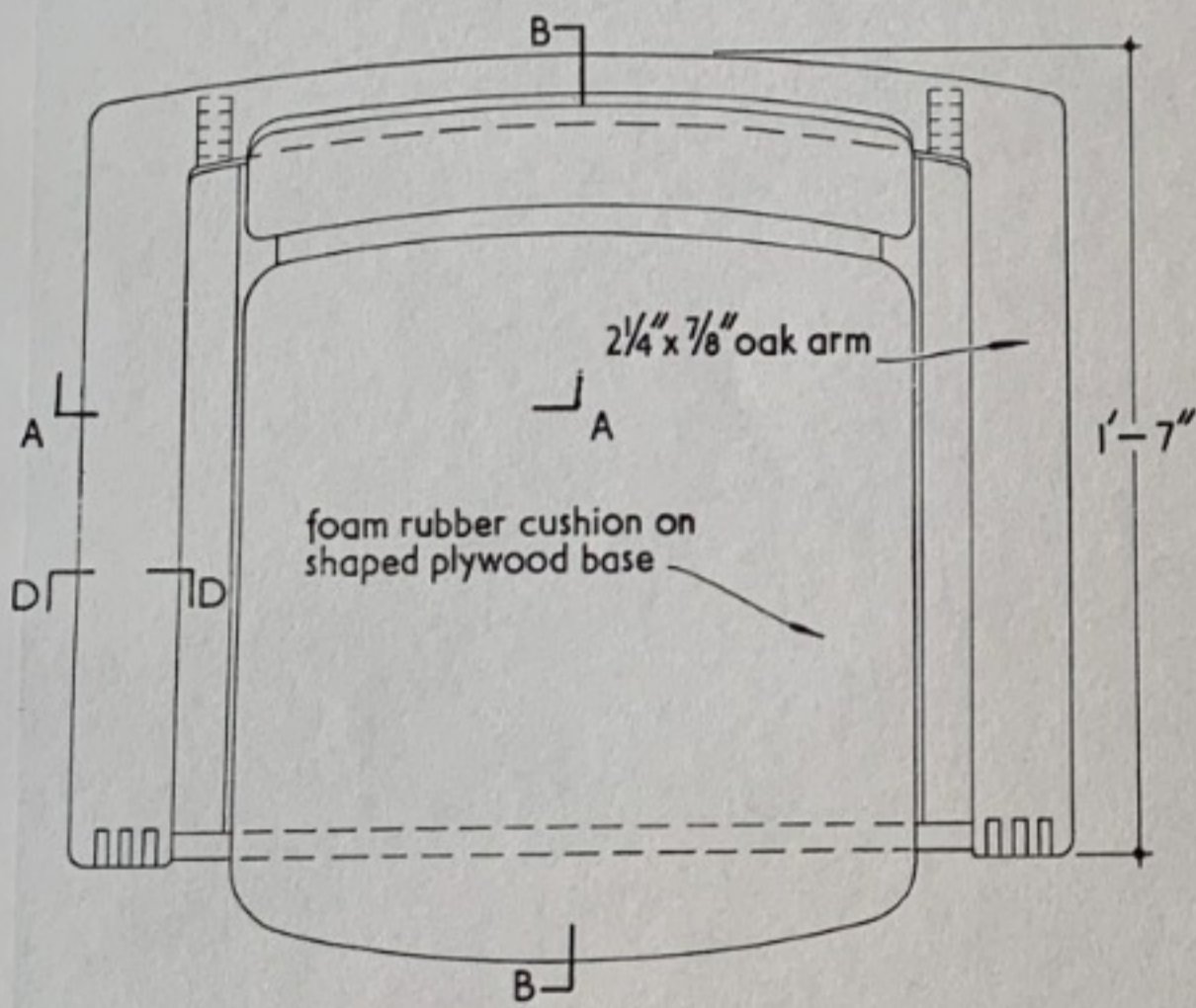




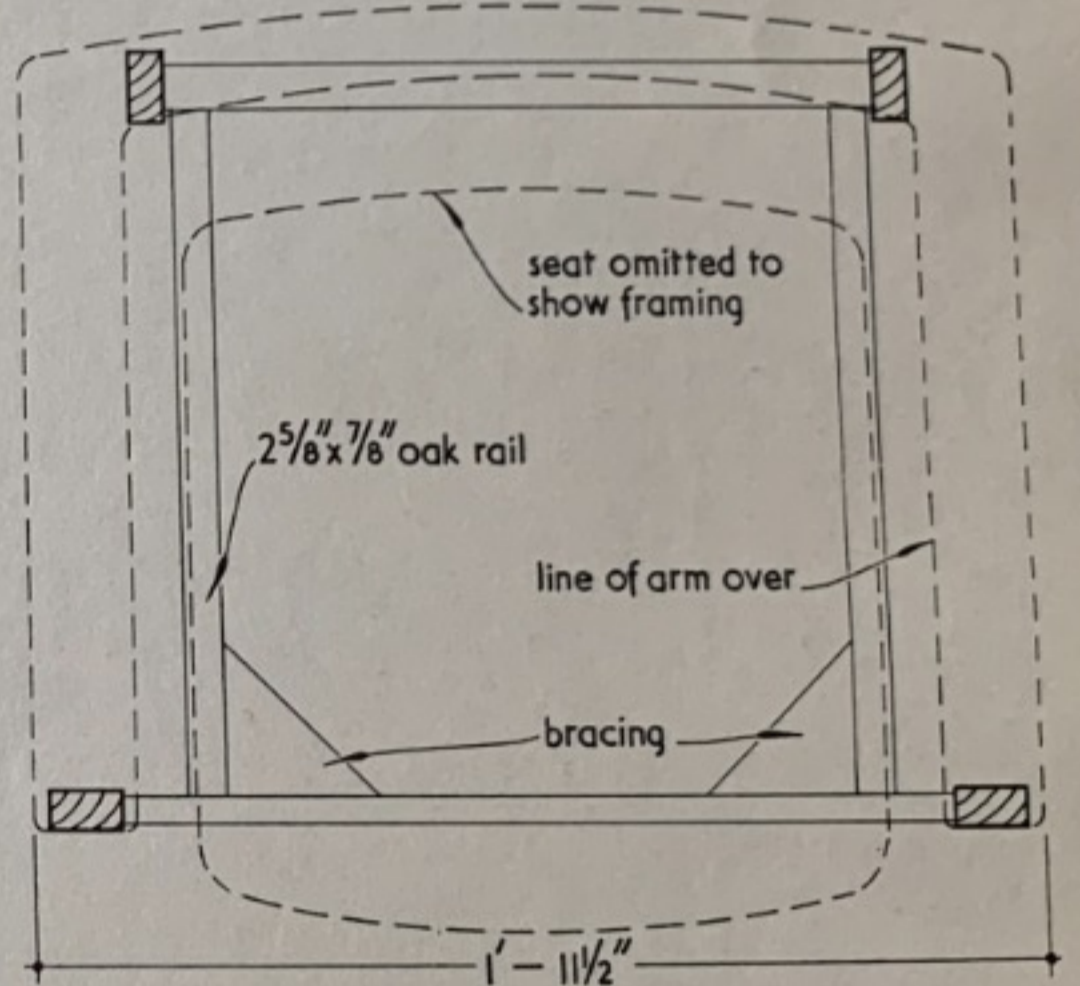
SECTION A-A. ELEVATION.



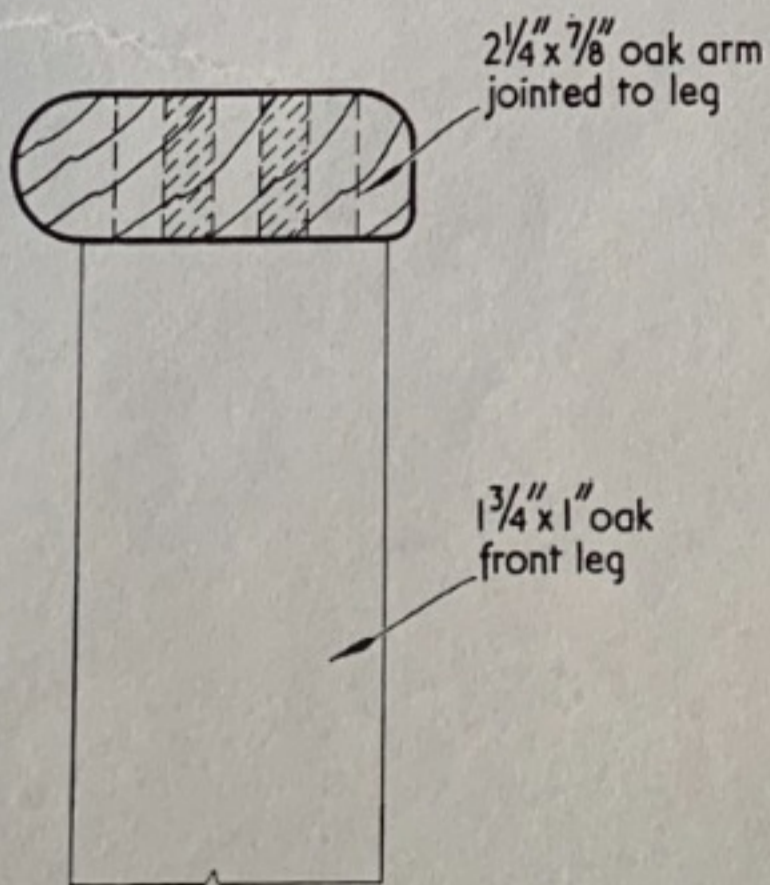
SECTION B-B. scale 1/8 full size



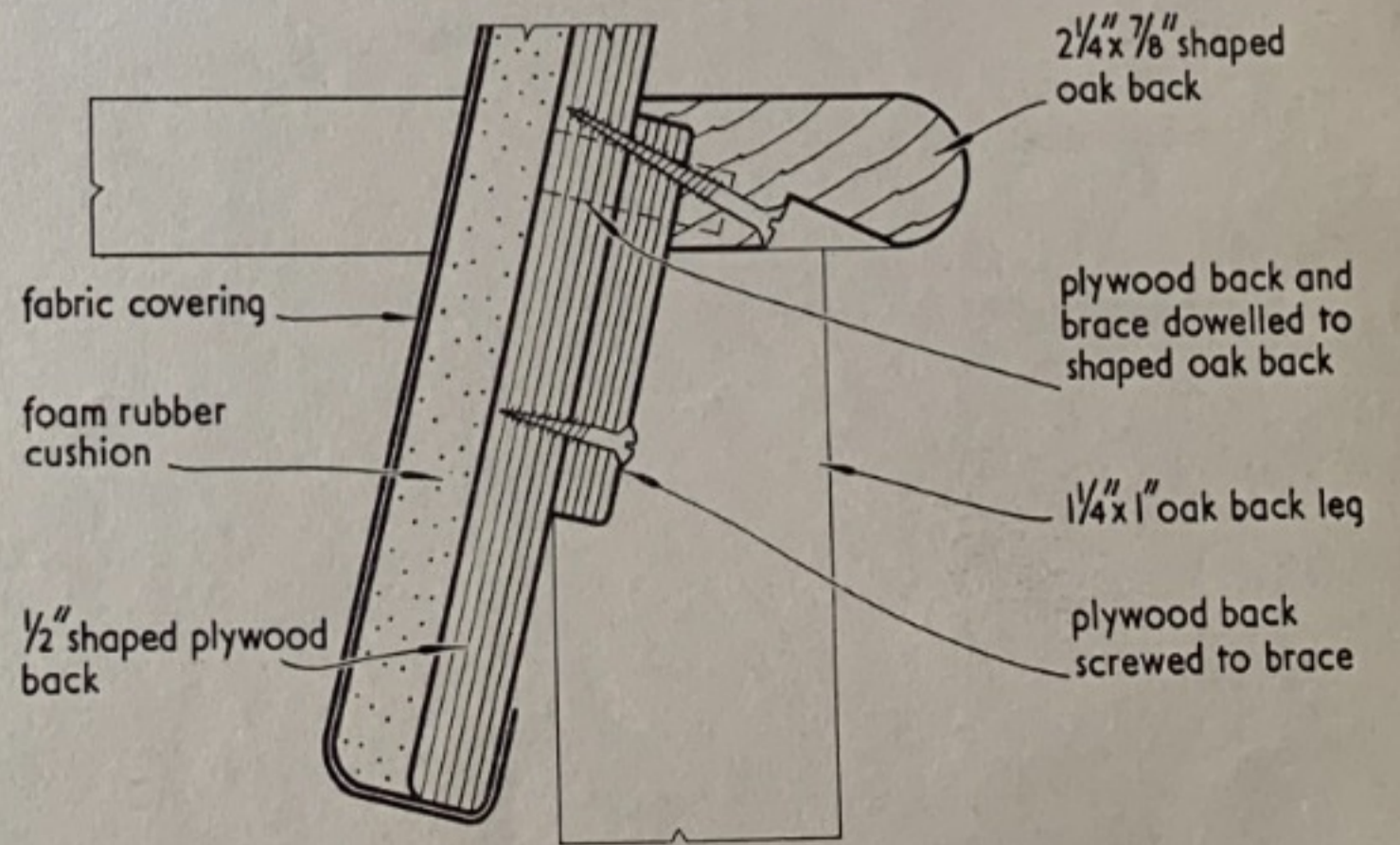
PLAN.



PLAN AT C-C. scale 1/8 full size



DETAIL AT D-D. scale 1/2 full size



DETAIL AT E. scale 1/2 full size

note: figured dimensions in feet and inches are approximate