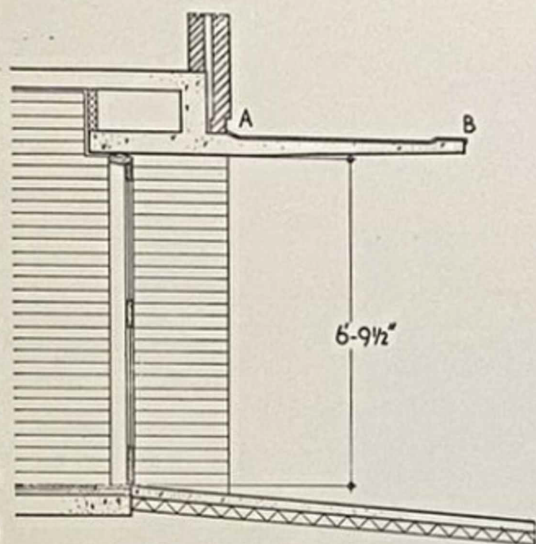
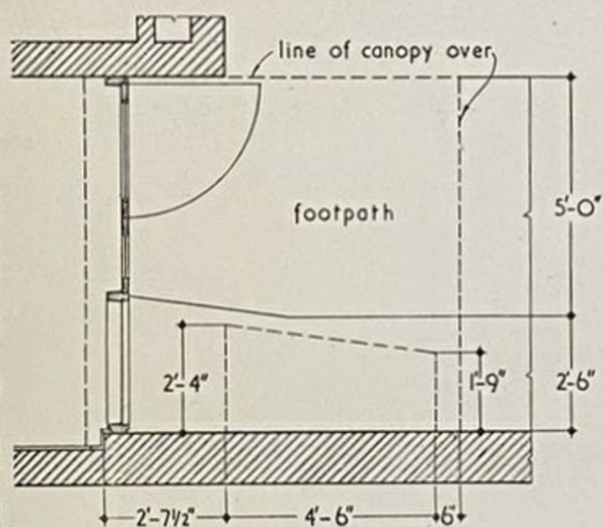


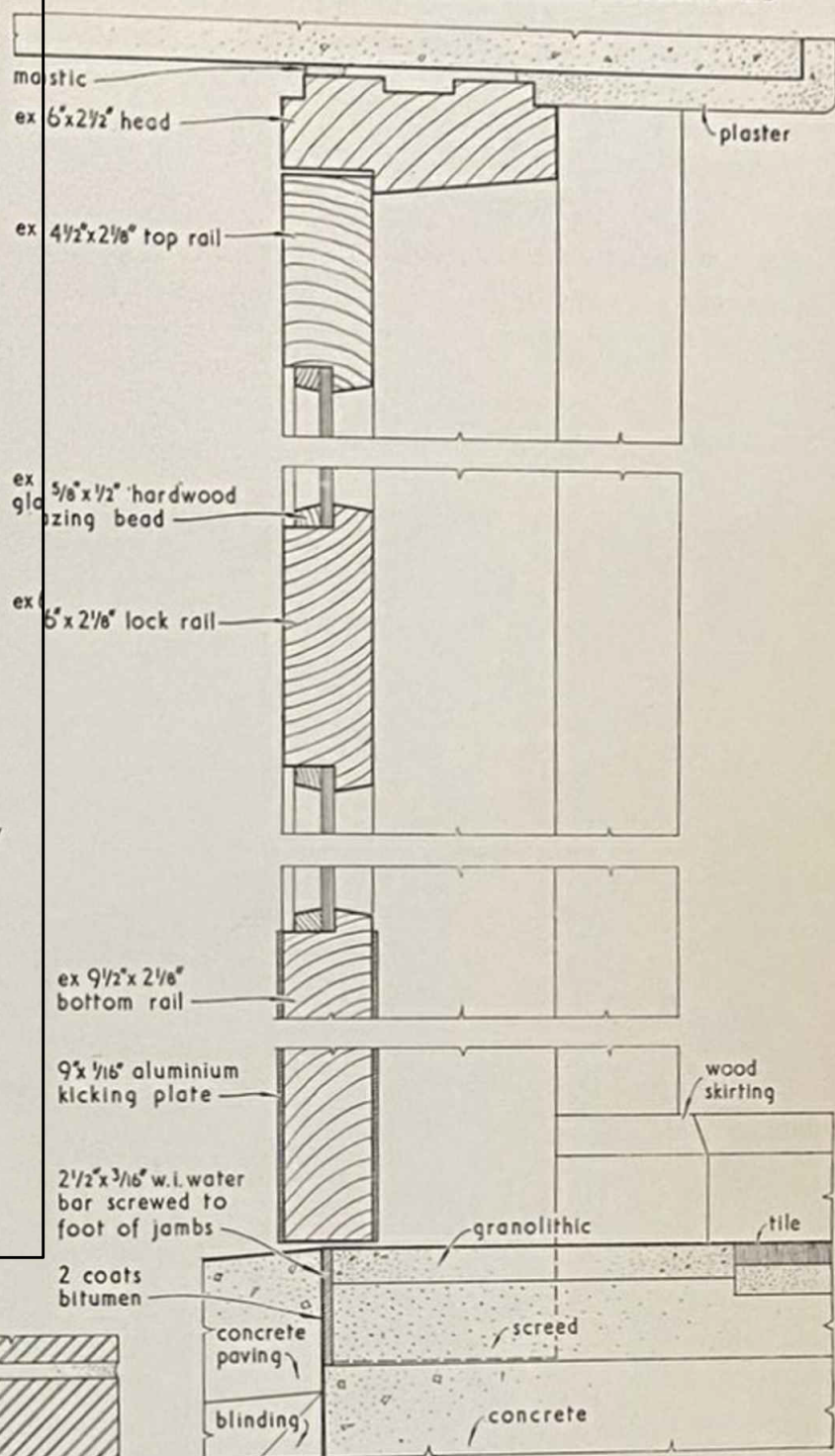
COVERED WAYS AND CANOPIES



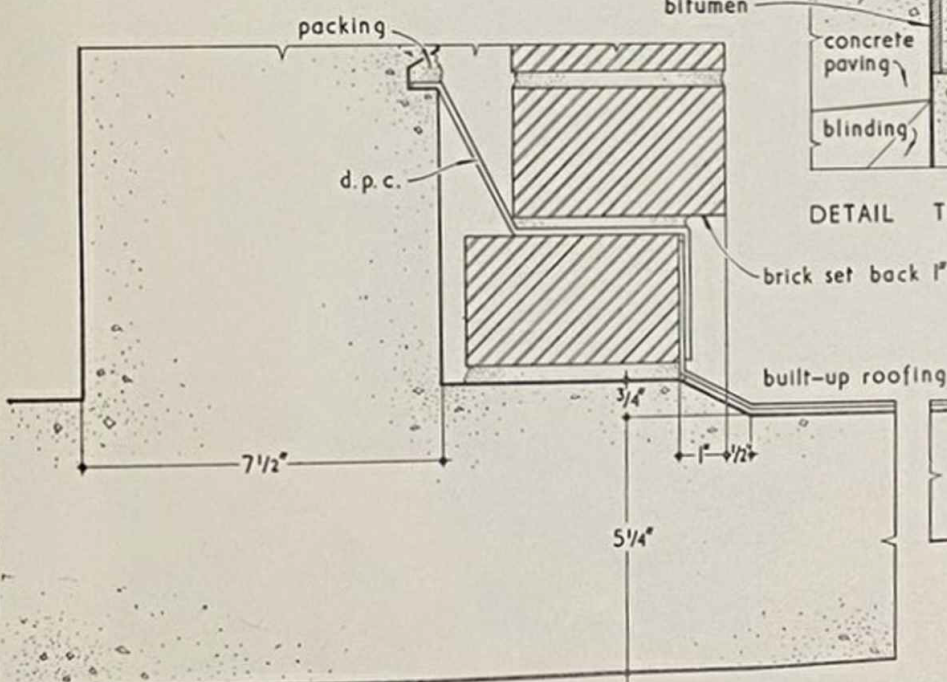
SECTION THRO' DOOR.
scale $\frac{1}{4}'' = 1'-0''$



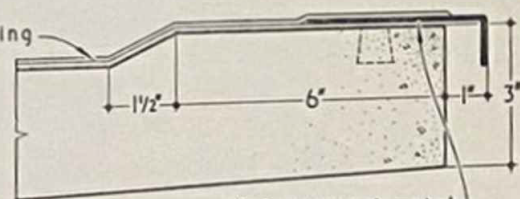
PLAN.
scale $\frac{1}{4}'' = 1'-0''$



DETAIL THRO' DOOR. scale $\frac{1}{4}$ full size.



DETAIL AT A. scale $\frac{1}{4}$ full size



DETAIL AT B. scale $\frac{1}{4}$ full size