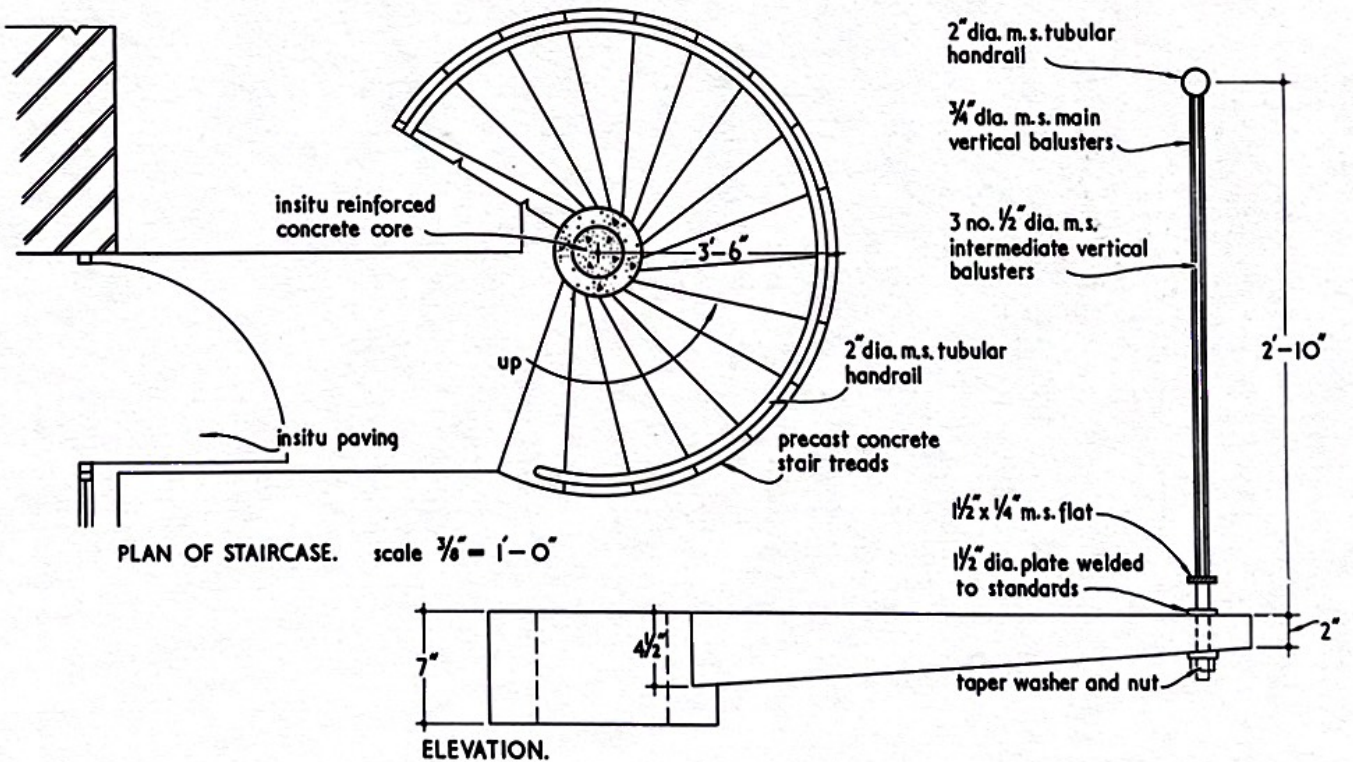
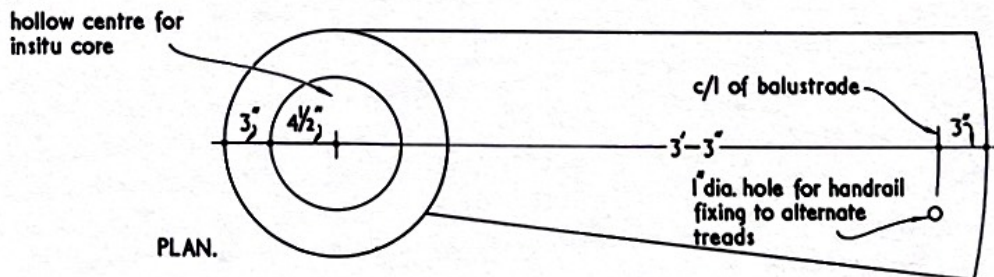


ELEVATION. scale $\frac{3}{8}'' = 1'-0''$



PLAN OF STAIRCASE. scale $\frac{3}{8}'' = 1'-0''$

ELEVATION.



PLAN.

DETAIL OF PRECAST CONCRETE TREAD. scale $1'' = 1'-0''$