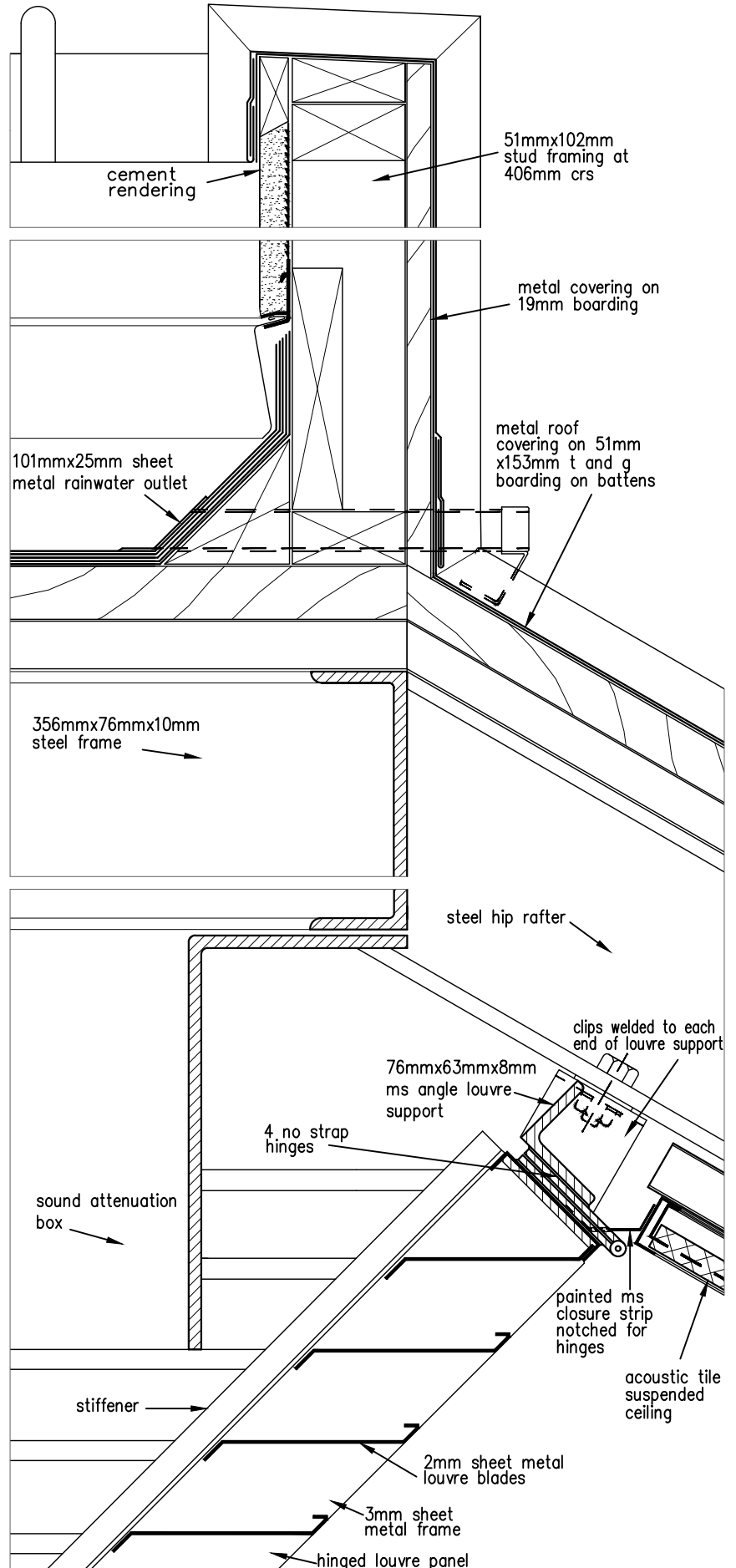
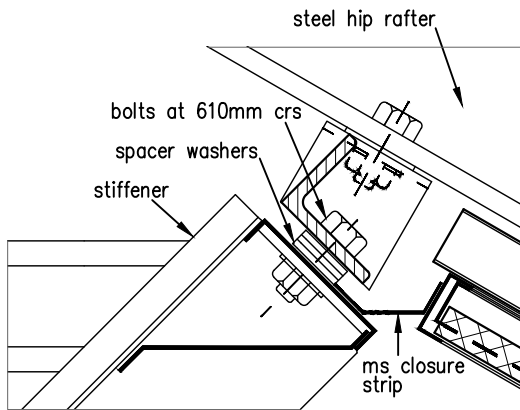


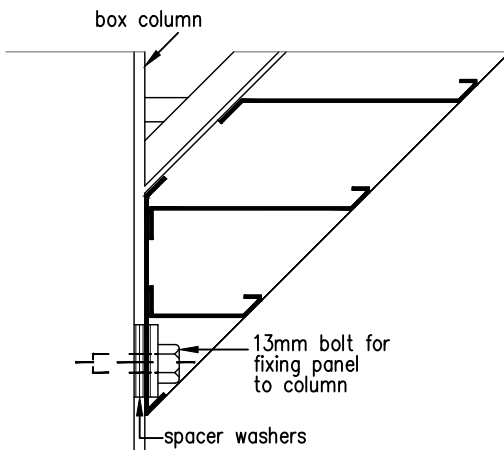
SECTION scale 1:100



DETAIL AT A scale 1:5



DETAIL AT TOP OF FIXED LOUVRE PANEL scale 1:5



DETAIL AT B scale 1:5