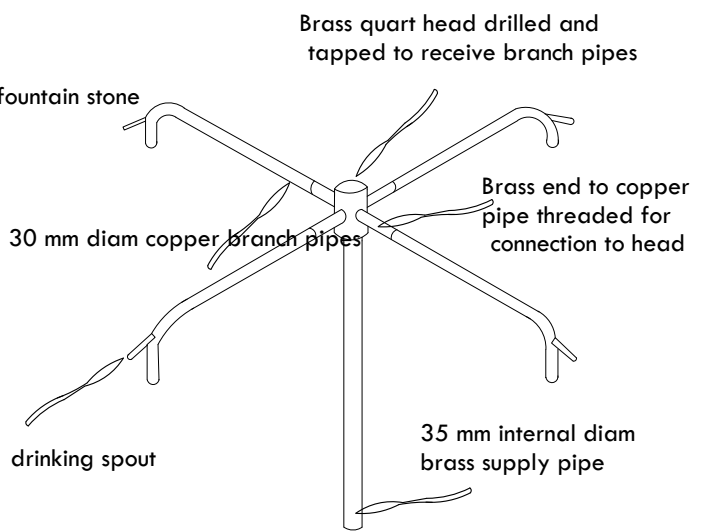
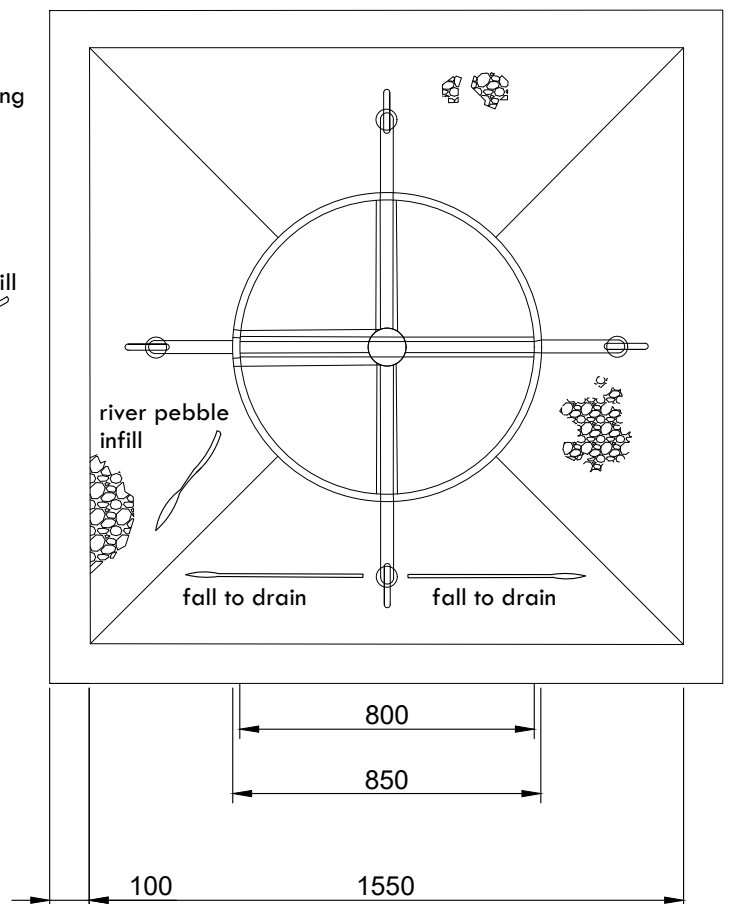


ELEVATION AND SECTION Scale 1:20



DETAIL OF PIPE ASSEMBLY



PLAN Scale 1:20